



**KEYLIGHT**  
**SPAIN**  
LIGHTING PRODUCTS



POWER SUPPLY & SENSORS





# ABOUT US

**Keylight Spain** is a leading specialist in lighting products from Valencia, Spain.

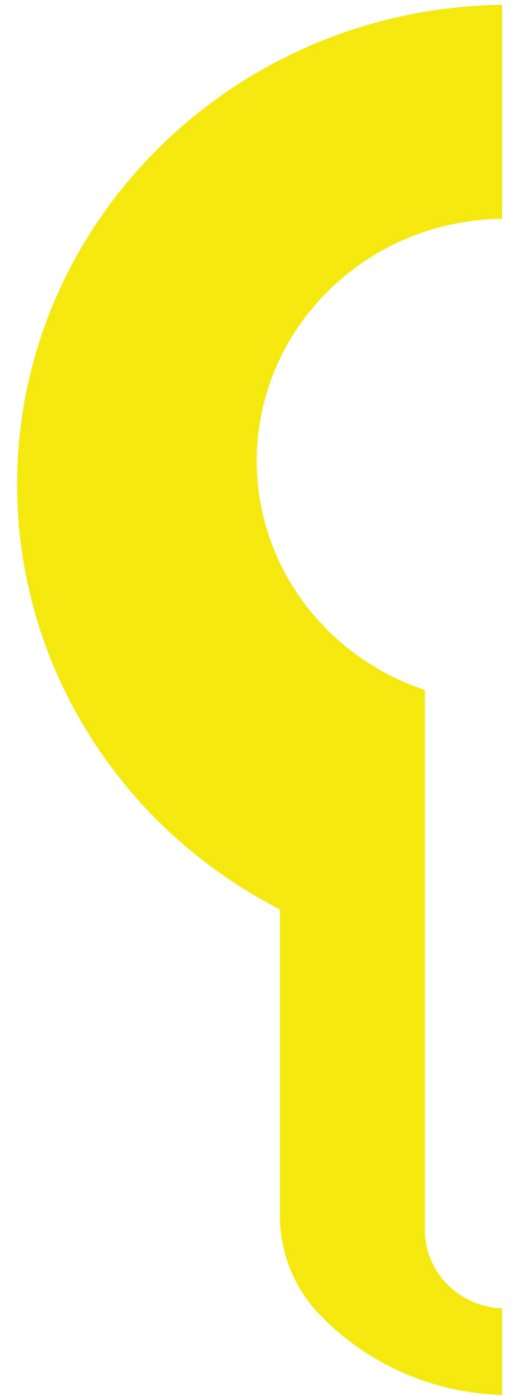
We use the latest **LED technology** to create a unique range of lighting solutions.

Known by the high quality of our materials and innovative approaches when it comes to lighting, we offer a comprehensive selection of products, including LED lights, luminaires, drivers, control systems, accessories and more.

Our creative scope allows us to tackle even the most complex lighting projects, while our extensive experience and customer service ensure your lighting needs are met with the utmost satisfaction.

Therefore, our mission is to meet and satisfy the needs of our clients, with tailored products and services including collaborative marketing campaigns and market-specific product design to support our partners worldwide.

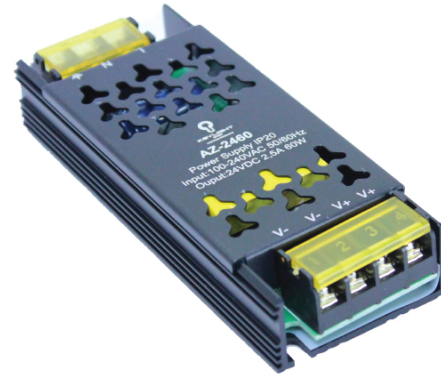
**POWER  
SUPPLY**  
AND SENSORS



**SLIM AND ULTRA THIN  
POWER SUPPLY IP20**

PRODUCT FUNCTIONAL CHARACTERISTICS

- Power Range from 60W to 400W
- High efficiency with sufficient Power
- 2 hours 100% full-load burn-in test before shipping
- OVP,OLP,OTP and short circuit protection programmed
- CE and ROHS certified



MODEL	IP	POWER	Vin/AC	Vout/DC	SIZE/MM	PCS/CTN
AZ-1260    AZ-2460	20	60	100-240	12/24	115*49.5*22.5	100
AZ-12100    AZ-24100	20	100	100-240	12/24	146*49.5*22.7	100
AZ-12150    AZ-24150	20	150	100-240	12/24	175*60*25	50
AZ-12200    AZ-24200	20	200	175-240	12/24	175*60*25	50
AZ-12300    AZ-24300	20	300	175-240	12/24	224*60*25	50
AZ-12400    AZ-24400	20	400	115-230	12/24	224*60*25	50

**SLIM WATERPROOF  
POWER SUPPLY IP67**

PRODUCT FUNCTIONAL CHARACTERISTICS

- Power Range from 60W to 300W
- High efficiency with sufficient Power
- 2 hours 100% full-load burn-in test before shipping
- OVP,OLP,OTP and short circuit protection programmed
- CE and ROHS certified



MODEL	IP	POWER	Vin/AC	Vout/DC	SIZE/MM	PCS/CTN
AZ-671260    AZ-672460	67	60	100-240	12/24	168*60.5*18	72
AZ-6712100    AZ-6724100	67	100	100-240	12/24	178*60.5*18	72
AZ-6712150    AZ-6724150	67	150	100-240	12/24	207*59*32.3	35
AZ-6712200    AZ-6724200	67	200	175-240	12/24	237.8*59*32.3	32
AZ-6712300    AZ-6724300	67	300	175-240	12/24	240*70*32.3	20

### SLIM AND ULTRA THIN POWER SUPPLY IP20

#### PRODUCT FUNCTIONAL CHARACTERISTICS

High efficiency with sufficient Power  
 2 hours 100% full-load burn-in test before shipping  
 OVP,OLP,OTP and short circuit protection programmed  
 CE and ROHS certified



MODEL	IP	POWER	Vin/AC	Vout/DC	SIZE/MM
AZ-AL-1260 AZ-AL-2460	20	60	100 - 240	12/24	316*18*15
AZ-AL-12120 AZ-AL-24120	20	120	100-240	12/24	315*32*20

### 0/10V 3-IN-1 DIMMABLE POWER SUPPLY

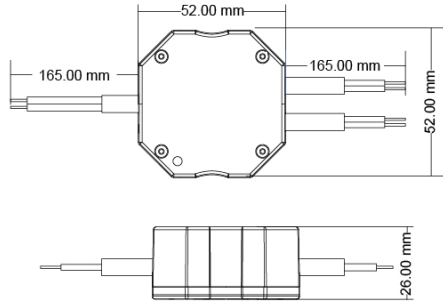
#### PRODUCT FUNCTIONAL CHARACTERISTICS

Power Range from 60W to 250W  
 3-In-1 Dimming ways: Silicon control, 1-10V, PWM signal  
 Compatible with before&after change silica control dimmer  
 2 hours 100% full-load burn-in test before shipping  
 OVP,OLP,OTP and short circuit protection programmed  
 CE and ROHS certified



MODEL	IP	POWER	Vin/AC	Vout/DC	SIZE/MM	PCS/CTN
AZ - 0/10 - 1260 AZ - 0/10 - 2460	20	60	100-240	12/24	230*50*30	60
AZ - 0/10 - 12100 AZ - 0/10 - 24100	20	100	100-240	12/24	230*50*30	55
AZ - 0/10 - 12150 AZ - 0/10 - 24150	20	150	100-240	12/24	287*50*30	50
AZ - 0/10 - 12200 AZ - 0/10 - 24200	20	200	175-240	12/24	287*50*30	50
AZ - 0/10 - 12250 AZ - 0/10 - 24250	20	250	175-240	12/24	287*50*30	50
AZ - DALI - 1260 AZ - DALI - 2460	20	60	170 - 264	12/24	187*49*29	60
AZ - DALI - 12100 AZ - DALI - 24100	20	100	170 - 264	12/24	230*49*29	55
AZ - DALI - 12150 AZ - DALI - 24150	20	150	170 - 264	12/24	287*49*29	50
AZ - DALI - 12200 AZ - DALI - 24200	20	200	170 - 264	12/24	287*49*29	50
AZ - DALI - 12250 AZ - DALI - 24250	20	250	170 - 264	12/24	287*49*29	50
AZ - DALI - 12300 AZ - DALI - 24300	20	300	170 - 264	12/24	287*49*29	50

**RF LED CONTROLLER**  
K-Dali-220B



- AC phase-cut mosfet DALI dimmer, one DALI address, one channel output.
- Trailing edge dimmer.
- The minimum brightness is adjustable.
- DALI-2 certified, in accordance with DALI standard protocol 101, 102, 205 (IEC 62386) and in compliance with DALI products from other international incorporation.
- DALI address can be automatically assigned by DALI master.
- To dim and switch single color dimmable LED lamps, traditional incandescent and halogen lights.
- Over-heat protection, Overload protection, recover automatically

Input voltage	Output Current	Output Power
100-240VAC	Max 1.5A	150-360W

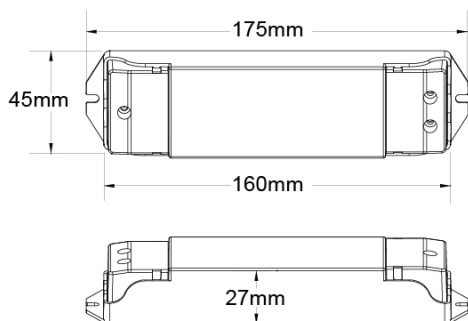
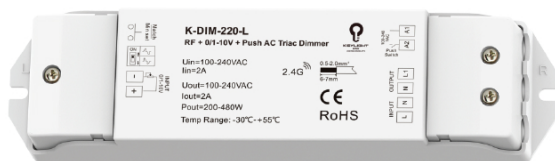
**AC PHASE-CUT DIMMER( RF + PUSH DIM)**  
K-DIM-220



- Leading edge or trailing edge dimming.
- To dim and switch dimmable LED lamps, traditional incandescent and halogen lights.
- Dimming range 0-100%.
- Compatible with RF remote.
- Minimum brightness setting.
- Push dim function.

Input Voltage	Output Current	Output Power
100-240VAC	1A× 1 channel	110/220W(110/220V)

**RF CONTROLLER(WALL BOX)**  
K-DIM-220-L



- RF + 0/1-10V + Push AC Triac Dimmer
- RF + 0/1-10V Push AC phase-cut dimmer, 1 channel output.
  - To dim and switch single color dimmable LED lamps, traditional incandescent and halogen lights.
  - Compatibility with RF 2.4G single zone or multiple zone dimming remote control
  - Compatible with active or passive 0-10V, 1-10V dimmer.
  - Connect with external push switch to achieve on/off and 0-100% dimming function.
  - 256 levels 0-100% dimming smoothly without any ash.
  - Leading edge dimming or trailing edge dimming set by dip switch.
  - Min brightness can be set by key.
  - Light on/off fade time 3s selectable.
  - Over-heat protection, recover automatically.

Input Voltage	Output Current	Output Power
AC100-240V	Max 2A	200-480W

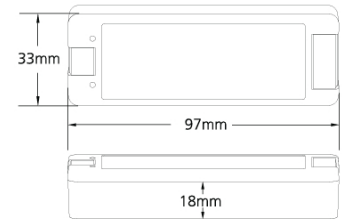




**RF LED CONTROLLER**  
K-DIM-01



- Match with variety of our 2.4G remote control.
- 0-100% PWM dimming without flicker.
- Auto-transmitting function.
- Synchronize on multiple number of controllers.
- Work with power repeater to enlarge output.

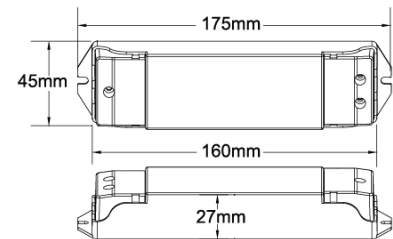


Input Voltage	Output Current	Output Power
5-36VDC	1CH, 8A/CH	40-288W

**RF LED CONTROLLER**  
K-DIM-01-L/P



- Match with variety of our 2.4G remote control.
- 0-100% PWM dimming without flicker.
- RGB/RGBW Controller built in 10 dynamic modes.
- Auto-transmitting function.
- Synchronize on multiple number of controllers.
- Work with power repeater to enlarge output.

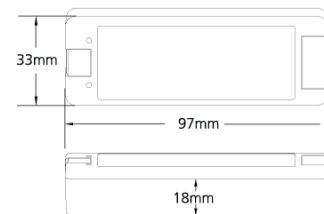


Input Voltage	Output Current	Output Power
12-24VDC	1CH, 15A/CH	180-360W

**POWER REPEATER**  
K-REP-101



- 1-5 Channel.
- PWM signal input.
- Connected in series or in parallel to expand output unlimitedly. Apply to single color constant voltage LED strip or module.

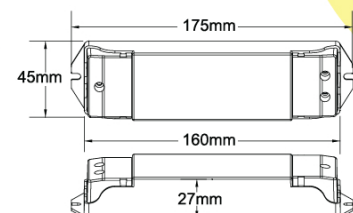


Input Voltage	Output Current	Output Power
5-36VDC	1CH, 8A/CH	40-288W

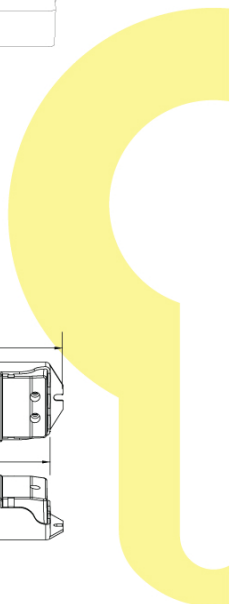
**POWER REPEATER**  
K-REP-101-S  
K-REP-103



- 1-5 Channel.
- PWM signal input.
- Connected in series or in parallel to expand output unlimitedly. Apply to single color constant voltage LED strip or module.



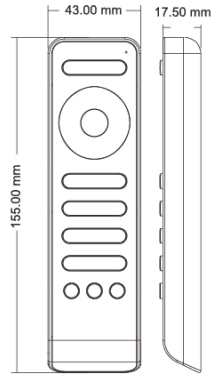
Input Voltage	Output Current	Output Power
12-36VDC	1CH, 15A/CH	75-540 W
12-36VDC	3CH, 6A/CH	3 x (72-216)W





4 zone dimming

**RF REMOTE CONTROL**  
K-DIM-REMOTE

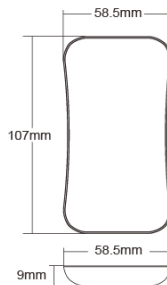


- Fixed easily with strong magnet on the back.
- Ultra sensitive touch color wheel.
- Achieve group control.
- 0% -100% smooth dimming.
- RF 2.4G, 30m remote distance.
- Working voltage 3VDC by 2 pcs AAA battery.

**RF LED REMOTE CONTROL**  
K-RGB-SET

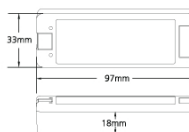


1 zone RGB/RGBW



- Sensitive touch color wheel.
- 1 zone or 4 zone version available.
- Achieve group control.
- 0.5% -100% smooth dimming.
- RF 2.4G, 30m remote distance.
- Working voltage 3VDC by CR2032 battery.

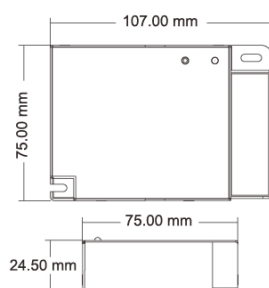
**RF LED CONTROLLER**  
K-RGB-03



- Match with variety of our 2.4G remote control.
- 0-100% PWM dimming without flicker.
- RGB/RGBW Controller built in 10 dynamic modes.
- Auto-transmitting function.
- Synchronize on multiple number of controllers.
- Work with power repeater to enlarge output.

## RF LED CONTROLLER

K-REP-103-X



- Match with variety of our 2.4G remote control.
- 0-100% PWM dimming without flicker.
- RGB/RGBW Controller built in 10 dynamic modes.
- Auto-transmitting function.
- Synchronize on multiple number of controllers.
- Work with power repeater to enlarge output.

Input Voltage	Output Current	Output Power
12-24VDC	3CH, 10A/CH	3x(120-240)W

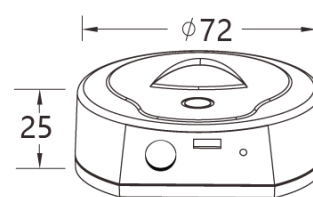
## RF LED CONTROLLER

K-RELAY-WIFI



- Can mix load all Keylight RF 2.4G Wireless Series products, including LED controllers,
- LED dimmable drivers, LED lights, 0-10V and Triac dimmers.
- Can control dimming, color temperature, RGB,
- RGBW and RGB+CCT light effects.
- Can be set on 1-16 zones, and 8 scene memories.

Input Voltage	Output Signal	Output Spec
5-24VDC	RF	MAX 16 zone

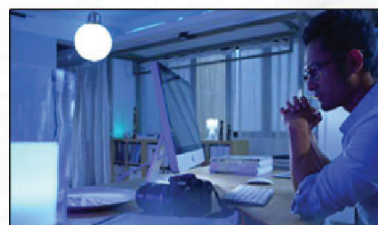
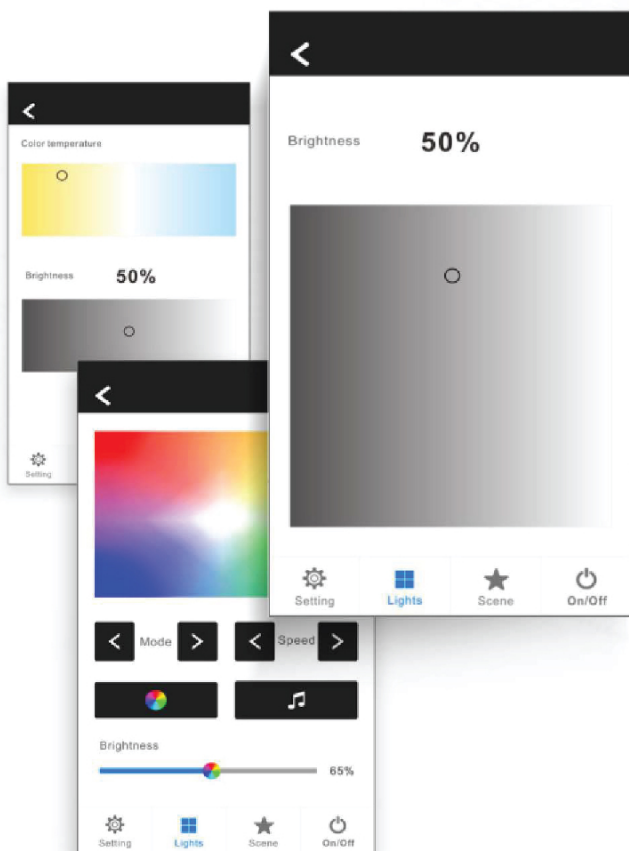




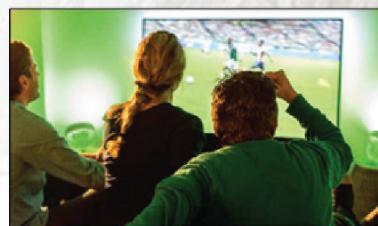
# WI-FI RELAY APPLICATION

**Wifi-Relay is the bridge of your wireless lighting system that connects your smart phone to your LED controllers with LED lights.**

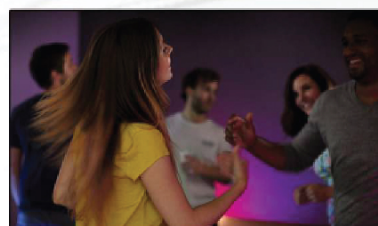
You can add Keylight's RF LED controllers, dimmable drivers and smart lights to one Bridge. Linked to Wi-Fi via your router, it also connects your system while surfing the internet.



Working time

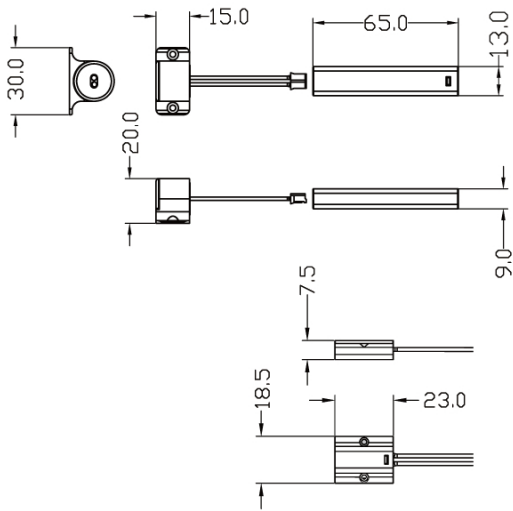


TV time



Party time





## DOOR CONTROL SENSOR SWITCH

**AZ-96608B**



Surface Mounted

**AZ-96608S**



Surface Mounted  
Ultra-thin Version

**AZ-96608C**



Recess mounted  
Mini Version

**Input Voltage:**DC 12V/24V

**Output Voltage:**DC 12V/24V

**Output Current:**3A max

**Detection Range:**<10cm

**Material:**PC

**Finish:** Black/White

Quick connectors available

## MOVEMENT SENSOR SWITCH

**AZ-96618B**



Surface Mounted

**AZ-96618S**



Surface Mounted  
Ultra-thin Version

**AZ-96618C**



Recess mounted  
Mini Version

**Input Voltage:**DC 12V/24V

**Output Voltage:**DC 12V/24V

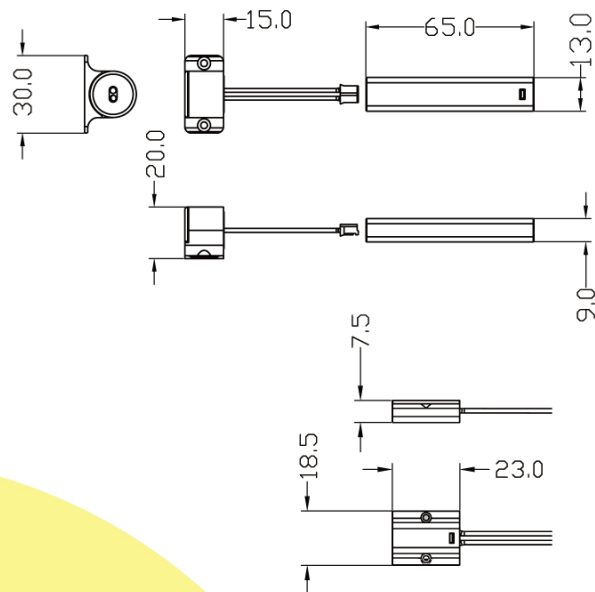
**Output Current:**3A max

**Detection Range:**<10cm

**Material:**PC

**Finish:** Black/White

Quick connectors available





**PIR SENSOR SWITCH**

**AZ-96638B**

**Input Voltage:**DC 12V/24V

**Output Voltage:**DC 12V/24V

**Output Current:**3A max

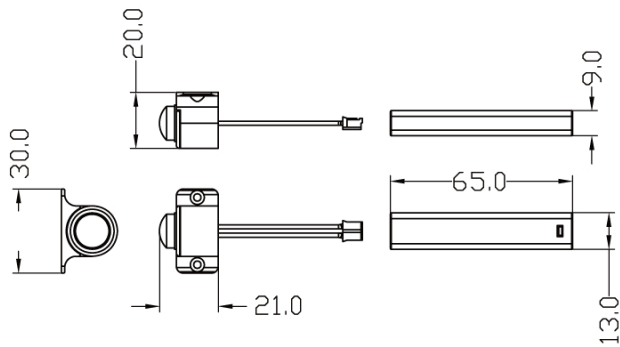
**Detection Range:**<1.5m

**Delay Time:**4.5 ± 5 s

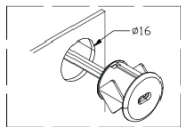
**Material:**PC

**Finish:**Black/White

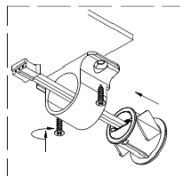
Quick connectors available



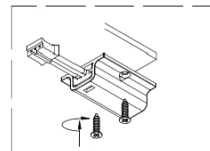
**AZ-96608**



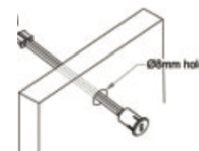
**AZ-96608B**



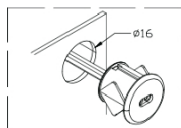
**AZ-96608S**



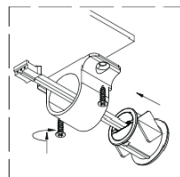
**AZ-96608C**



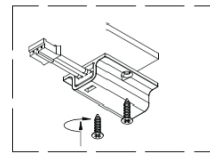
**AZ-96618**



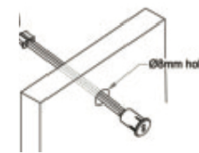
**AZ-96618B**



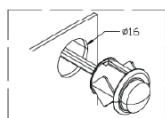
**AZ-96618S**



**AZ-96618C**

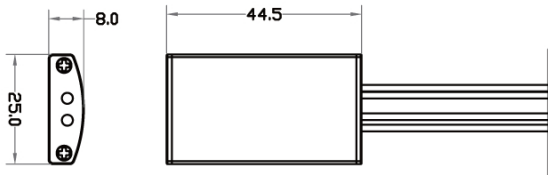


**AZ-96638**



**AZ-96638B**





### **DOOR CONTROL SENSOR SWITCH**

**AZ-96659W**

**Input Voltage:**DC 12V/24V

**Output Voltage:**DC 12V/24V

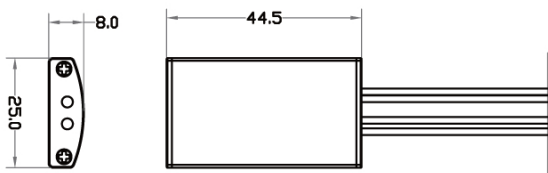
**Output Current:**3A max

**Detection Range:**<10cm

**Material:**Aluminum

**Finish:**Anodized

Quick connectors available



### **MOVEMENT SENSOR SWITCH**

**AZ-96659M**

**Input Voltage:**DC 12V/24V

**Output Voltage:**DC 12V/24V

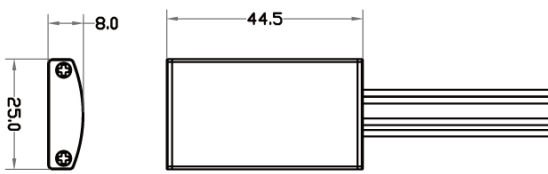
**Output Current:**3A max

**Detection Range:**<10cm

**Material:**Aluminum

**Finish:**Anodized

Quick connectors available



### **TOUCH DIMMER**

**AZ-96659D**

**Input Voltage:**DC 12V/24V

**Output Voltage:**DC 12V/24V

**Output Current:**3A max

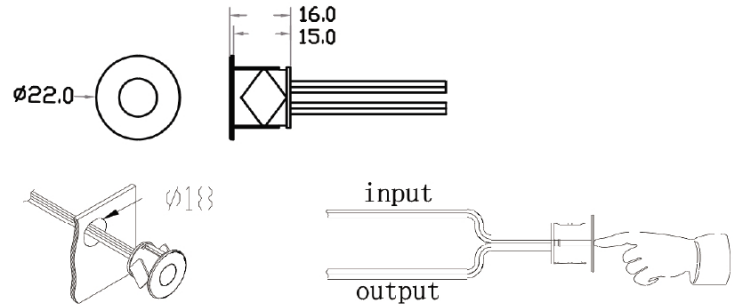
**Material:**Aluminum

**Finish:**Anodized

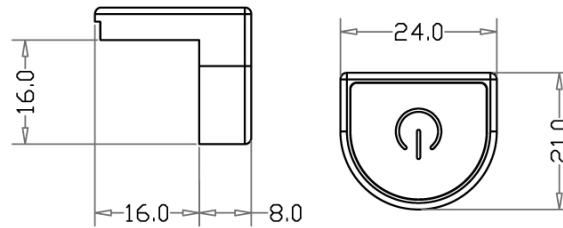
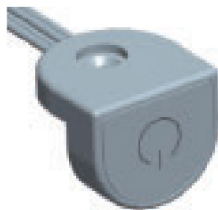
Quick connectors available



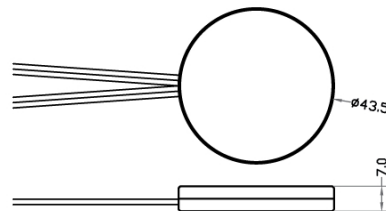
**LED TOUCH DIMMER**



**AZ-96648D**



**AZ-96661D**



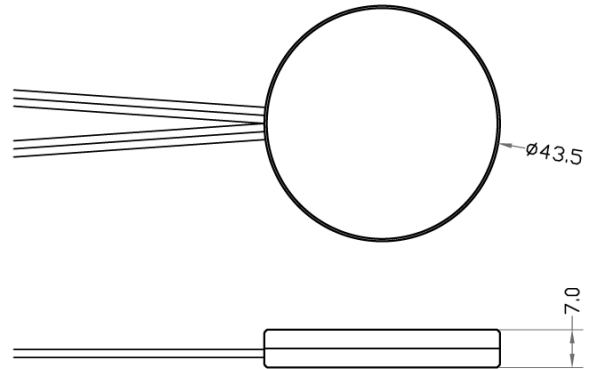
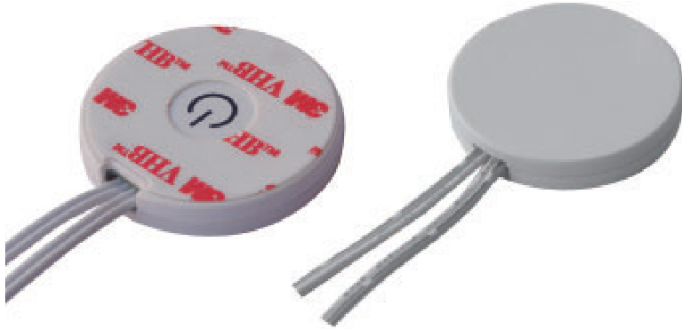
**AZ-96663D**

Function description

When the human touch the touch tablet, then release within 0.5S, the switch status changes(ON / OFF). When the human touch the touch tablet over 0.5 S, the switch will turn to adjustment status (high - low - high).

**TECHNICAL DETAILS IN BRIEF**

item code	AZ-96648D	AZ-96661D	AZ-96663D
L*W*H(mm)	22x16	24x21	43.5x7
Input Volt.	DC 12V/24V		
Output Volt.	DC 12V/24V		
Output Current	3A		
Material	PC		
Finish/color	silver,black,white	silver,white	
installation	recess	surface	surface
supplied with	1M22# AWG input & output cable with plug		



**AZ-96663**

Function description

Install the touch dimmer inside or beneath the wood board(or other insulation material like marble ), switch on/off the light by short touch within 0.5S on the surface of wood board.

**TECHNICAL DETAILS IN BRIEF**

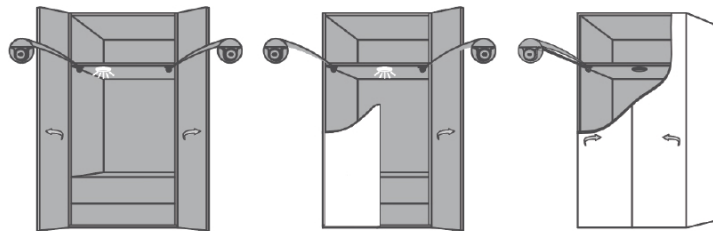
item code	<b>AZ-96663</b>
L*W*H(mm)	43.5x7
Input Volt.	DC 12V/24V
Output Volt.	DC 12V/24V
Output Current	3A
Material	PC
Finish/color	silver,white
installation	recess
supplied with	1M24# AWG input & output cable with plug

## DOUBLE DETECTOR LED SENSOR

### DOOR CONTROL SENSOR SWITCH (DOUBLE DETECTOR)



**Input Voltage:**DC 12V/24V  
**Output Voltage:**DC 12V/24V  
**Output Current:**3A max  
**Detection Range:**<10cm  
**Material:**PC  
**Finish:** Silver Grey  
 Quick connectors available



**AZ-96609B**



Surface mounted

**AZ-96609S**

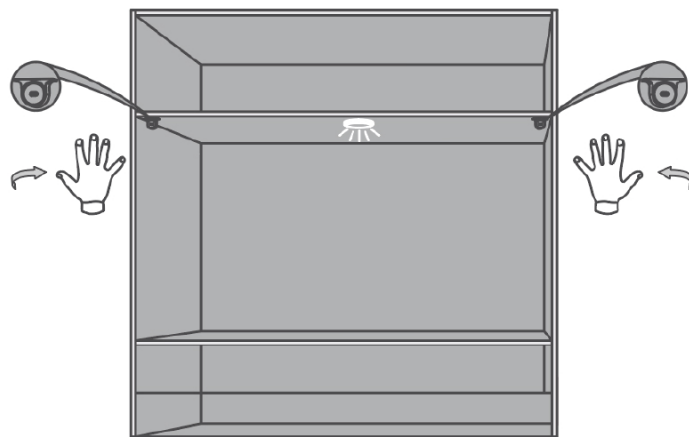


Surface mounted  
Ultra-thin Version

### MOVEMENT SENSOR SWITCH (DOUBLE DETECTOR)



**Input Voltage:**DC 12V/24V  
**Output Voltage:**DC 12V/24V  
**Output Current:**3A max  
**Detection Range:**<10cm  
**Material:**PC  
**Finish:** Silver Grey  
 Quick connectors available



**AZ-96619B**



Surface mounted

**AZ-96619S**



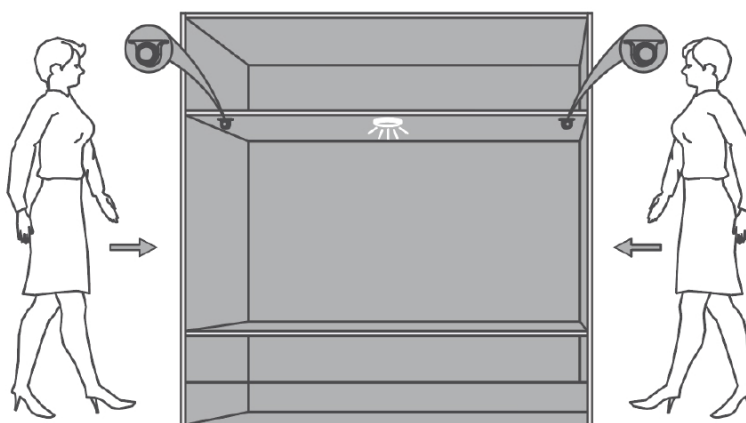
Surface mounted  
Ultra-thin Version

**PIR SENSOR SWITCH  
(DOUBLE DETECTOR)**

**AZ-96639B**



**Input Voltage:**DC 12V/24V  
**Output Voltage:**DC 12V/24V  
**Output Current:**3A max  
**Detection Range:**<1.5m  
**Delay Time:**4.5 ± 5 s  
**Material:**PC  
**Finish:**Silver Grey  
Quick connectors available

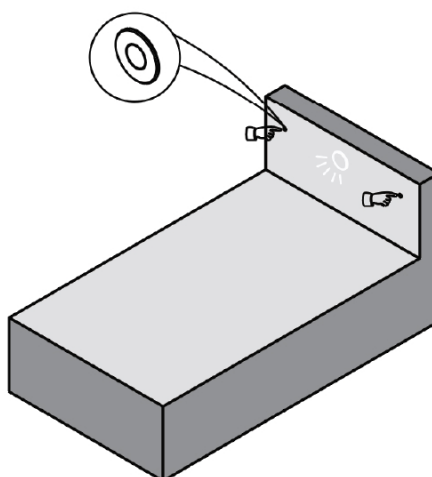


**TOUCH DIMMER  
(DOUBLE TOUCH CONTACT)**

**AZ-96647D**



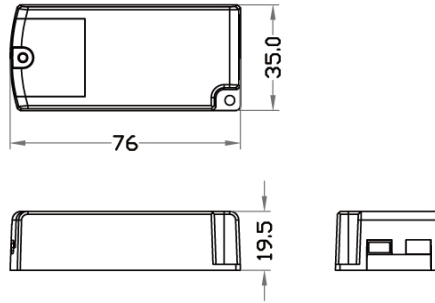
**Input Voltage:**DC 12V/24V  
**Output Voltage:**DC 12V/24V  
**Output Current:**3A max  
**Material:**PC  
**Finish:**White / Black / Silver Grey  
Quick connectors available



**DOOR CONTROL SENSOR SWITCH**  
**AZ-96601**



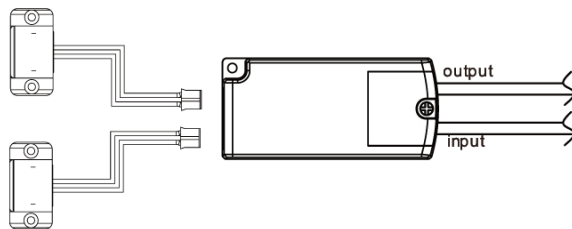
**Input Voltage:**100-240VAC 50/60HZ  
**Output Voltage:**100-240VAC 50/60HZ  
**Loading Power:**250W max.  
**Detection Range:**<10cm  
**Finish:** White



**DOOR CONTROL SENSOR SWITCH**  
**(DOUBLE DETECTOR)**  
**AZ-96602**



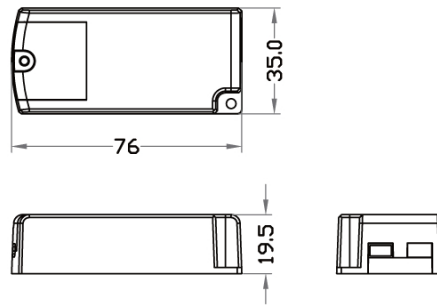
**Input Voltage:**100-240VAC 50/60HZ  
**Output Voltage:**100-240VAC 50/60HZ  
**Loading Power:**250W max.  
**Detection Range:**<10cm  
**Finish:** White



**MOVEMENT SENSOR SWITCH**



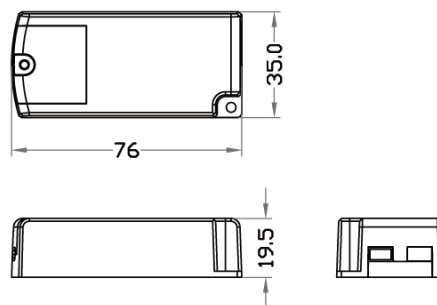
**Input Voltage:**100-240VAC 50/60HZ  
**Output Voltage:**100-240VAC 50/60HZ  
**Loading Power:**250W max.  
**Detection Range:**<10cm  
**Finish:** White



**PIR SENSOR SWITCH**



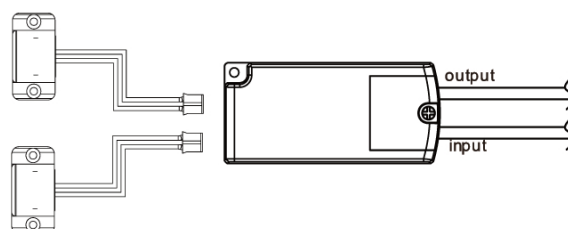
**Input Voltage:**100-240VAC 50/60HZ  
**Output Voltage:**100-240VAC 50/60HZ  
**Loading Power:**250W max.  
**Detection Range:**<1.5m  
**Finish:** White



**MOVEMENT SENSOR SWITCH (DOUBLE DETECTOR)**  
**AZ-96612**



**Input Voltage:**100-240VAC 50/60HZ  
**Output Voltage:**100-240VAC 50/60HZ  
**Loading Power:**250W max.  
**Detection Range:**<10cm  
**Finish:** White

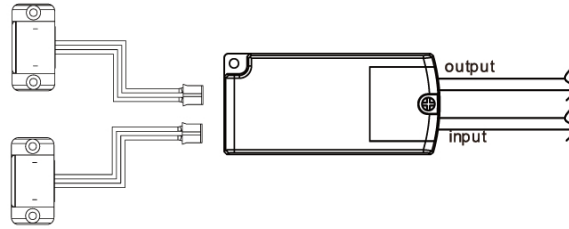


**PIR SENSOR SWITCH  
(DOUBLE DETECTOR)**

**AZ-96632**



**Input Voltage:**100-240VAC 50/60HZ  
**Output Voltage:**100-240VAC 50/60HZ  
**Loading Power:**250W max.  
**Detection Range:**<1.5m  
**Finish:** White

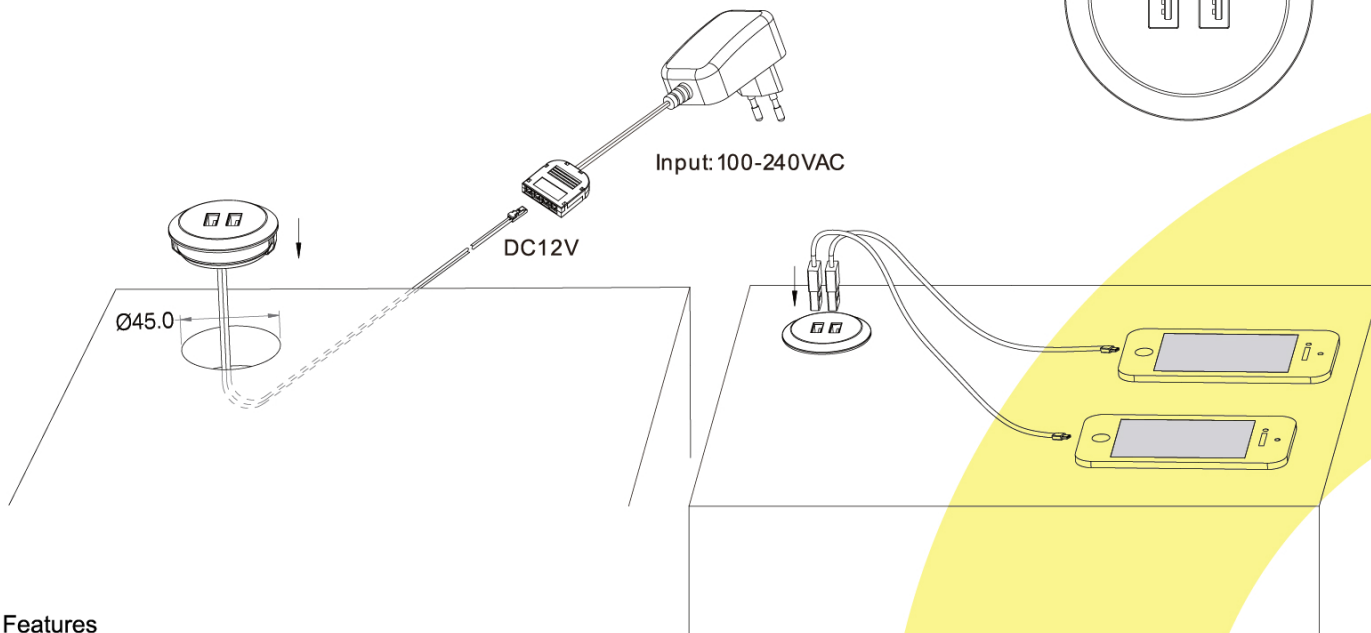
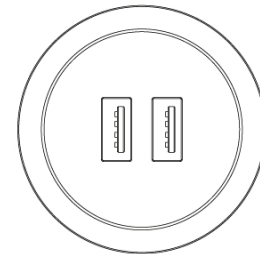
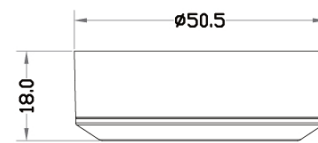


**USB CHARGER**

**AZ-42002**



**Voltage:**DC12V  
**Output:** DC5V 1A X2  
**Material:** PC  
**Finish:** Silver Grey  
**IP Rated:** IP20  
**Requires Drivers:** Yes (Constant Voltage Type)



**Features**

- USB charging station 1A & 2A
- Recess mount with cutting 45mm
- Optional surface mount with height 18mm









**KEYLIGHT**  
**SPAIN**  
LIGHTING PRODUCTS

**KEYLIGHT BY LUCREATIVE**

TEL: +34 677 65 56 22

EMAIL: [INFO@KEYLIGHTSPAIN.EU](mailto:INFO@KEYLIGHTSPAIN.EU)